

# CONTRACTOR CONNECTION



VOL 24

WE WORK HARDER, DOING WHATEVER IT TAKES, TO BE YOUR PREFERRED SUPPLIER

JULY 2026 - SEPTEMBER 2026

## BEAT THE HEAT STOCK UP ON NU-CALGON PRODUCTS SO YOUR CUSTOMERS DON'T LOSE THEIR COOL!



### PURCOOL PAN STRIPS

TREATS 5-TONS

Prevents Sludge Build-Up  
Cleans Drain Pan & Lines  
Controls Odors, Improves IAQ



**\$6.99**  
NUC61042

### RX11-FLUSH®

2+1 VALUE PACK

AC & Refrigeration System Flush  
Flushes up to 14 Tons  
2+1 Value Pack Includes;  
(2) RX11 Flush + (1) Injection Valve



**\$249.00**  
NUC4300-10

### pH-TREAT™ MEDIA\*

INLINE REFILL - 3lbs

Neutralizes Condensate from High Efficiency Fuel-Fired:

- Furnaces
- Boilers
- Tankless Water Heaters



**\$35.99**  
NUC4720-11

\*Replacement media only additional items sold separately

### ALKA-BRITE®+

1 U.S. GALLON

Foaming Condenser Cleaner  
Pushes Dirt Out of the Coil  
Cleans & Degreases Better Than Acids



**\$21.99**  
NUC4120-08

### RX11-FLUSH® LIQUID

SYSTEM FLUSH STARTER KIT

AC & Refrigeration System Flush  
Starter Kit Includes;  
(1) Liquid Can + (1) 24" Hose  
(1) Flush Gun + (1) Flush Tank



**\$149.00**  
NUC4300-38

### iWAVE®-M

MINI AIR IONIZATION SYSTEM

Compact Design for any HVAC System  
For Mini-Split, PTAC or Ice Machines  
Can Flex Easily in the Field



**\$199.00**  
NUC4900-35

### iWAVE®-R

RESIDENTIAL AIR IONIZATION SYSTEM

Patented Self-Cleaning Design Ensures Ongoing Peak Performance  
For Duct Systems up to 6 Tons  
Easily Installs in Minutes



**\$365.00**  
NUC4900-20

Exclusively at Northeastern Supply



Be **VICTORIOUS**



Water Heater Pans  
Plastic/Aluminum



Copper Fitting Brushes



Toilets & Toilet Seats



J-Hooks



Copper Press Fittings



Chrome Plated P-Trap



No Hub Couplings



Expansion Tank



Basket Strainer



SCAN ME for the full line of Victory Pro Products

**STIEBEL ELTRON**

Over a century of German water heating innovation

**Mini™**  
Point-of-use Electric Tankless



**Mini 3-1**  
Item No. STI220816

- › Will not dry fire
- › Perfect for a single handwashing sink
- › Mounts with fittings pointing up or down

**Tempra® Plus**  
Whole House Electric Tankless



- › Advanced Flow Control™ ensures constant hot water regardless of demand
- › No venting required
- › Self-modulating energy technology

**Tempra® Plus 24** Item No. STI239222

**Tempra® Plus 29** Item No. STI239223

**Tempra® Plus 36** Item No. STI239225

**SHC Mini-Tank**  
Point-of-use



**2.5 Gallon**  
Item No. STI233219

**6 Gallon**  
Item No. STI235089

- › 2.5, 4, 6 gallon sizes
- › Brass plumbing connections
- › 120 V with cord and plug

**We make the ones that work.**



Comfort through Technology  
800.582.8423 • www.stiebel-eltron-usa.com

**MOEN® CHATEAU® BATH SUITE**  
PRODUCT SKU TRANSITIONS

Moen's Longest-Standing Product Line has gotten a refreshed look - See the reimagined styles & features like slimmer bases and a single hole faucet for quicker, easier installation!

**What's Changing?**

- Select Chateau bathroom faucets, bath & shower products will transition to new model numbers.
- These updates reflect a refreshed Chateau design and, in many cases, offering a more streamlined appearance & easier installation.
- Core performance, quality & overall product positioning remain consistent, with changes driven primarily by model number updates.



**Legacy SKU Availability**

Current (legacy) Chateau SKUs will continue to be available and supported through August 1, 2026.

Availability of these legacy model numbers is guaranteed only through this date, after which they may be discontinued & no longer orderable.



**SCAN ME**  
to view both classic & new Chateau products!  
\*\*CLASSIC SKUs AVAILABLE WHILE SUPPLIES LAST\*\*



**VALUE-ADDED SERVICES**

- Water Analysis
- Extensive inventory
- Residential & Commercial supplies
- Technical support & product training
- Constant pressure applications
- 37 Convenient locations
- Dedicated employees
- Self-selection warehouses
- Over 80 years of continuous service
- Reliable, same-day delivery from one of the area's largest delivery fleet

**JOHN MCFARLAND**

john.mcfarland@northeastern.com  
(410) 808-5385

**TOM KUEHL**

tom.kuehl@northeastern.com  
(540) 351-2874

**MEET YOUR NE SUPPLY WATER SPECIALISTS!**



## BARNES®

by CRANE PUMPS & SYSTEMS



**RESIDENTIAL SUMP PUMP**  
JBR112548  
**\$213<sup>.17</sup>**



**SUBMERSIBLE EFFLUENT PUMP**  
JBR105054  
**\$1,001<sup>.14</sup>**



**SUBMERSIBLE GRINDER PUMP**  
JBR145469  
**\$1,155<sup>.60</sup>**

<b>HORSEPOWER</b>	½HP	1HP	1HP
<b>VOLTAGE</b>	120V	240V	115V
<b>PHASE</b>	1 PH	1 PH	1 PH
<b>FREQUENCY</b>	60 Hz	60 Hz	60 Hz
<b>GPM MAX</b>	50 GPM	87 GPM	44 GPM
<b>SPEED RATING</b>	3450 RPM	3450 RPM	3450 RPM
<b>DISCHARGE</b>	1½" NPT Female	2" NPT Female	2" NPT
<b>SWITCH TYPE</b>	MANUAL	MANUAL	MANUAL

### Catch Leaks Quickly with Smart Leak Detectors



Leaks from pipes, appliances and the weather can happen anywhere in your home, but Smart Leak Detectors can sense moisture quickly to help prevent water damage.



**1-PACK**  
MOE920-004

**3-PACK**  
MOE920-005

Monitors for major leaks 24/7, while daily tests check for leaks as small as 1 drip per minute

## TA TEKNOR APEX

### NEVERKINK GARDEN HOSE



**5/8" x 50FT.....\$31<sup>.93</sup>**  
ITEM NO. 58.50NEVERKINKHOSE

**5/8" x 100FT.....\$51<sup>.44</sup>**  
ITEM NO. 58.100NEVERKINKHOSE

**COMPLETE YOUR HOSE PURCHASE WITH A SPRAY NOZZLE**

**GARDEN HOSE SPRAY NOZZLE.....\$4<sup>.86</sup>**  
ITEM NO. SPRAYNOZZLE



## AMPED™ CARBIDE TEETH RECIPROCATING SAW BLADES

### STEEL DEMON™ 3PK \$60<sup>.99</sup>

Blades for **THICK METAL** DIADS0908CFA3

- Hi-Performance Carbide delivers the greatest durability and cutting performance in thick metal applications
- Black I.C.E. coating protects cutting edge against wear for extreme durability and longer blade life
- Enhanced carbide tip to blade connection for extreme impact resistance
- 1" oversized blade body provides stability & rigidity for straighter cuts with less vibration
- Perma-SHIELD® resists heat build-up by protecting the blade against gumming and corrosion



### DEMO DEMON™ 3PK \$46<sup>.99</sup>

Blades for **GENERAL PURPOSE** DIADS0909CGPA3

- Hi-Performance Carbide delivers the greatest durability and cutting performance in wood/metal applications
- Up to 100X longer life versus standard bi-metal blades
- Black I.C.E. coating protects cutting edge against wear for extreme durability and longer blade life
- Enhanced carbide tip to blade connection for extreme durability and longer blade life
- 1" oversized blade body provides stability & rigidity for straighter cuts with less vibration
- Perma-SHIELD® resists heat build-up by protecting the blade against gumming and corrosion



### STEEL DEMON™ 3PK \$64<sup>.99</sup>

Blades for **MEDIUM METAL** DIADS0910CFA3

- Hi-Performance Carbide delivers the greatest durability and cutting performance in wood and metal applications
- Up to 100X longer life versus standard bi-metal blades
- Black I.C.E. coating protects cutting edge against wear for extreme durability and longer blade life
- Enhanced carbide tip to blade connection for extreme impact resistance
- 1" oversized blade body provides stability & rigidity for straighter cuts with less vibration
- Perma-SHIELD® resists heat build-up by protecting the blade against gumming and corrosion



# HVAC TAPE

**Shurtape®**

TRUE TO YOUR WORK™

**COLD TEMP FOIL/SCRIM TAPE**

**\$10.99**  
STT232036



3" x 150'

**SILVER METAL HVAC DUCT TAPE**

**\$12.99**  
STT101015



2" x 185'

**BLACK UV-RESISTANT LINE SET TAPE**

**\$6.99**  
STT102666



2" x 185'

**CO-EXTRUDED CLOTH DUCT TAPE (PROFESSIONAL GRADE - BLACK)**

**\$8.99**  
STT105475



2" x 180'

**\$7.99**  
STT105454

2" x 185'

**ALUMINUM FOIL HVAC TAPE**

**\$13.99**  
STT232035



3" x 150'

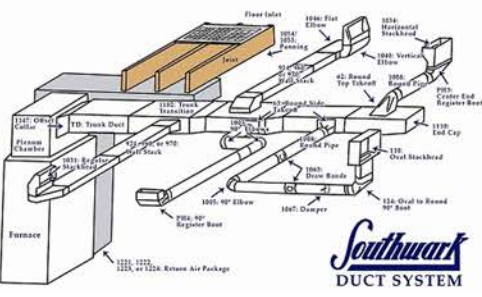
**UL ALUMINUM FOIL HVAC TAPE**

**\$18.99**  
STT232623



3" x 185'

**NEW FOR 2026!**  
**SOUTHWARK UNIVERSITY**  
ONLINE TRAINING PROGRAM FOR HVAC PROFESSIONALS



Whether you are just starting your HVAC career or looking to refresh years of experience in the field, **Southwark University** is a great start to furthering your skills as an HVAC professional.

The online university provides the comprehensive, practical knowledge you need to excel when working in residential applications, including sizing and installing sheet metal pipe, duct and fittings, all at the convenience of your own schedule and location.

Southwark University courses are provided at no cost to you with the creation of a user account.

Get started today with great courses like:

- How to Use a Duct Calculator
- Why Sheet Metal?
- Sheet Metal Basics
- Methods of Sealing Joint Seams



SCAN QR Code to get started!

[www.SouthwarkUniversity.com](http://www.SouthwarkUniversity.com)

Southwark University training is provided by **SOUTHWARK METAL MFG CO**, a leading manufacturer of sheet metal ducts and fittings since 1946.



Partner with DiversiTech this Summer for a chance to win an exclusive charter fishing experience on the Chesapeake Bay!

**PURCHASE ANY OF THE QUALIFYING PRODUCTS  
JULY 1 TO AUGUST 31  
AND RECEIVE ENTRY INTO THE PRIZE DRAWING**

### PRIZE DETAILS:

#### FULL DAY CHARTER TRIP

A fishing excursion for (4) four people with Class Act Charter Fishing, departing from Tilghman Island, MD for a day on the Chesapeake Bay.

Trip to take place in September or October 2026.

#### ACCOMMODATIONS

(1) One-night stay at the Knapps Narrows Marina and Inn, including a gift card for dinner.

#### APPAREL

(1) One DiversiTech hooded fishing shirt for each attendee.

ONE Winner will be selected at random

Purchase any  
**4 THERMOSTATS**

Any Purchase of  
**\$200 or MORE**

Any Purchase of  
**\$200 or MORE**  
\*Excludes private label products

Any Purchase of  
**\$200 or MORE**  
REPLACEMENT PARTS

Any Purchase of  
**\$100 or MORE**

Any Purchase of  
**\$100 or MORE**

## AprilAire

# APRILAIRE DEHUMIDIFIERS BUY 6, GET 1\* FREE

JUNE 1 - AUGUST 31, 2026



APRE050



APRE070



APRE080



APRE100



APRE130

\*Valid on purchase of full-price AprilAire e-series Dehumidifier models E050, E070, E080, E100, E130 and Wi-Fi models from June 1 - August 31, 2026 and submitted to AprilAire by September 30, 2026. If multiple models are purchased via the promotion, the free unit redeemed must be of equal or lesser value than most of the units purchased. All purchases must be made during the promotional period from June 1 - August 31, 2026. Must submit copies of the product purchases with completed form by September 30, 2026, to qualify.



SCAN HERE FOR ONLINE FORM



# Low Odor, Low VOC Plumbing Cements, Primers & Cleaners

WHILE SUPPLIES LAST



**714<sup>TM</sup> CPVC**  
 COLOR VISCOSITY SET TIME  
 Heavy Bodied Medium  
 1/2 PT IPS10137 \$5.57



**FlowGuard<sup>®</sup> Gold CPVC**  
 COLOR VISCOSITY SET TIME  
 Medium Bodied Fast  
 1/4 PT IPS11029 \$4.80  
 1/2 PT IPS11028 \$5.58



**782<sup>TM</sup> PVC Plumbing**  
 COLOR VISCOSITY SET TIME  
 Heavy Bodied Medium  
 1/2 PT IPS14018 \$2.74  
 1 PT IPS14017 \$9.50



**782<sup>TM</sup> PVC Plumbing**  
 COLOR VISCOSITY SET TIME  
 Heavy Bodied Medium  
 1/2 PT IPS14023 \$15.39



**PVC & CPVC Plumbing Primer**  
 COLOR VISCOSITY SET TIME  
 1 PT IPS14031 \$3.06



**PVC & CPVC Plumbing Primer**  
 COLOR VISCOSITY SET TIME  
 1 QT IPS14025 \$6.25



**PC-64<sup>TM</sup> Primer-Conditioner**  
 COLOR VISCOSITY SET TIME  
 1 PT IPS10873 \$3.98

LOOKING FOR MORE??  
 SCAN ME to view our full product offering!



# American Standard

## NEW SALEM<sup>®</sup> INTEGRAL APRON BATHTUB

\*\*WHILE SUPPLIES LAST - VERY LIMITED QUANTITIES\*\*

**\$178.50**



**RIGHT HAND OUTLET**  
 AMS0255112.020

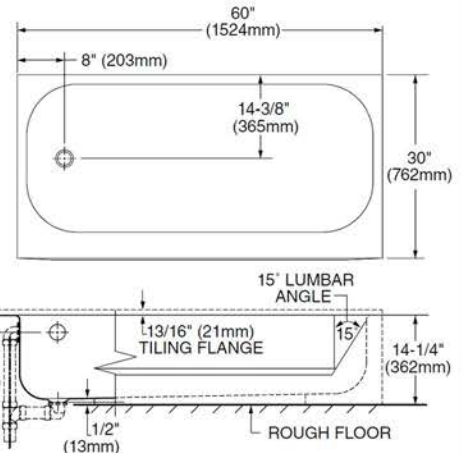
**LEFT HAND OUTLET**  
 AMS0255212.020

For those enamored with the look of enamel. The New Salem<sup>®</sup> bathtub is made from heavy gauge, enameled steel for attractiveness and durability. Features include a slip-resistant surface and an integral apron for a cleaner look. Alcove installation. Acid resisting, heavy gauge, enameled steel one-piece recess bath.

**NOMINAL DIMENSIONS**  
 60" x 30" x 14 1/4"

**BATHING WELL DEPTH**  
 13 1/4"

**SHIPPING WEIGHT**  
 78lbs



# DEBURRING TOOL



**CUTTING CAPACITY**  
 1/2" - 1/4"

**BLADE MATERIAL**  
 Die Cast

**APPLICATION**  
 Copper or CPVC

**ITEM NO.**  
**PAS4356**

# Milwaukee 25FT MAGNETIC TAPE MEASURE

**STRAIGHTER, STIFFER BLADE.**

**\$24.50**  
MIL48-22-1025M



**15' REACH**  
12" Standout | Blade Width 1-1/8"

LIMITED LIFETIME WARRANTY

\*Based on maximum performance and extension of average professional user

# Milwaukee PACKOUT™ MODULAR STORAGE SYSTEM

**MOST VERSATILE DURABLE**  
MODULAR STORAGE SYSTEM



**\$79.25**  
MIL48-22-8302

# MOEN® GX PRO GARBAGE DISPOSALS

**CLEAR FOOD SCRAPS THAT CAUSE ODOR**

- VORTEX™ Motor**  
Grinds scraps into fine particles that easily wash away
- Exclusive 360° Clean Rinse**  
Eliminates odors

**EASIER INSTALLATION**

- Simple Swap**  
Fits most existing assemblies
- Pre-installed Power Cord**  
Nothing extra to buy (removable for hardwire applications)

**WORRY-FREE OPERATION**

- Built Smarter, Built Safer**  
Rugged impeller design uses force & speed to break down food
- Septic Safe**  
Safe to use with properly-sized septic tanks

**The Lite Series 1/3 HORSEPOWER GARBAGE DISPOSAL \$63.25**  
MOEGXP33C

**The Prep Series 1/2 HORSEPOWER GARBAGE DISPOSAL \$75.65**  
MOEGXP50C



**SHOP LIKE  
A PRO!!!**



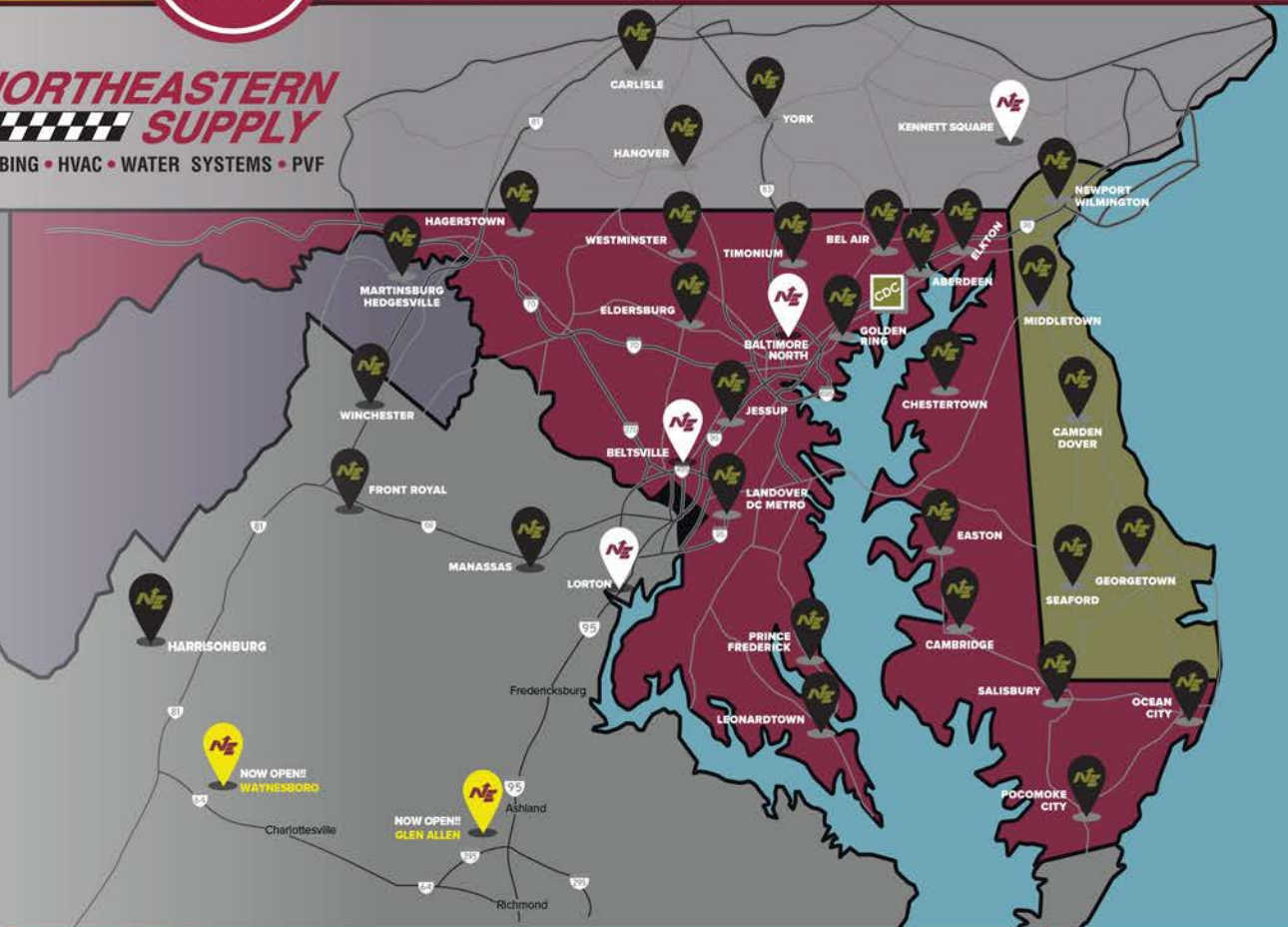
**SIGN UP  
TODAY!**

**ONE  
STOP  
SHOP**

**24/7**

**WWW.NORTHEASTERN.COM**

- Order Online
- Bill Pay
- Check Inventory
- Check Pricing
- Create Lists



**DELAWARE**

**MARYLAND**

**VIRGINIA**

**CAMDEN/DOVER**  
100 S. DuPont Highway (Rt. 13)  
(302) 698-1414

**GEORGETOWN**  
20352 DuPont Boulevard  
(302) 856-6000

**MIDDLETOWN**  
104 Patriot Drive  
(302) 378-7880

**WILMINGTON**  
310 Water Street  
(302) 999-9334

**SEAFORD**  
20675 Sussex Highway  
(302) 613-4040

**WEST VIRGINIA**

**MARTINSBURG**  
2394 Hedgesville Road (Rt.9)  
(304) 754-8014

**Home Office**  
**GOLDEN RING**  
8323 Pulaski Highway  
(410) 574-0010  
(410) 574-1407 / (877) 574-1407

**Central Distribution Center**  
**ABERDEEN (CDC)**  
504 Advantage Avenue  
(410) 272-9200

**ABERDEEN**  
530 S. Philadelphia Boulevard  
(410) 273-7155

**BALTIMORE NORTH**  
2100 W. Cold Spring Lane  
(410) 406-8363

**BEL AIR**  
2100 Laurel Bush Road  
(410) 515-1900

**BELTSVILLE**  
11700 Trolley Lane  
(301) 708-3022

**CAMBRIDGE**  
3132 Airreys Spur Road  
(443) 972-5950

**CHESTERTOWN**  
6401 Church Hill Road  
(410) 231-7560 / (877) 710-9286

**EASTON**  
28659 Marys Court  
(410) 770-4480

**ELDERSBURG**  
1401 Londontown Boulevard  
(410) 795-8000

**ELKTON**  
300 W. Main Street  
(410) 398-0671

**HAGERSTOWN**  
1100A Business Center Drive  
(301) 739-7474

**JESSUP**  
8390 Washington Boulevard  
(301) 490-0170

**LANDOVER**  
3330-C 75th Avenue  
(301) 322-8390

**LEONARDTOWN**  
26731 Radio Station Way, Bldg. 1  
(410) 231-7560 / (877) 710-9286

**OCEAN CITY**  
9731 Stephen Decatur Highway  
(410) 213-8780

**POCOMOKE CITY**  
633 Ocean Highway  
(410) 957-9700

**PRINCE FREDERICK**  
5401 Ketch Road  
(410) 535-4375

**SALISBURY**  
2114 Shipley Drive  
(410) 219-1188

**TIMONIUM**  
1957 Greenspring Drive  
(410) 252-9610

**WESTMINSTER**  
40 Magna Way  
(410) 876-5855

**PENNSYLVANIA**

**CARLISLE**  
265 E. Pomfret Street  
(717) 243-1789

**HANOVER**  
121 Penn Street  
(717) 637-2238

**KENNETT SQUARE**  
1280 Baltimore Pike  
(610) 268-0400

**YORK**  
1212 E. Mason Avenue  
(717) 854-5534

**FRONT ROYAL**  
307 N. Commerce Avenue  
(540) 635-4547 / (800) 461-4547

**GLEN ALLEN**  
10380 Cedar Lane  
(804) 773-7771

**HARRISONBURG**  
1136 S. High Street  
(540) 434-8413

**LORTON**  
8397 Terminal Road  
(571) 380-6500

**MANASSAS**  
9751 Center Street  
(703) 330-2803

**WAYNESBORO**  
1381 New Hope Road  
(540) 949-8348

**WINCHESTER**  
131 W. Brooke Road  
(540) 662-4158 / (800) 533-1003